

# OPR 3201

Laser scanner



The OPR 3201 barcode laser scanner with pistol grip and auto-triggerstand delivers reliable scanning performance using Opticon's proven scanning technology.

## Product Features

### Light and Stable

The OPR-3201 only weighs 80 grams, which is considerably light for a gun type scanner. We adapted a large grip and positioned the scanning parts near the central core of the grip to stabilize the hand movement while scanning. It releases operators from the physical load and it is easier to target the objective barcodes.

### Fast scanning

High Performance laser scanner provides a fast and accurate reading and is immediately ready for the next scan, even when barcodes are printed with low contrast or high density.

### Plug and Scan

The plug and play ability of the OPR 3201 enables quick connection and provides the ability to put the scanning performance to immediate operation.

### Hands-on or Hands-Free Scanning

The supplied auto trigger feature of the scanner and the complementing stand initiates automatic scanning and allows the user to operate instantly and handsfree. When manual control is preferred the scanner can also be operated as stand-alone unit.

Cabled

Wireless

Stationary

OEM

**OPTICON**  
always scanning for new ID's

## Specifications

### OPR 3201 Barcode laser scanner

#### Electrical specifications

Voltage requirement: 5 V  $\pm$  10 % (Keyboard Wedge and USB), 6 V (min. 4.5, max. 6.5 V) (RS232)  
Current consumption: max. 100 mA (typical use)

#### Optical specifications

Light source: 650 nm visible laser diode  
Scan method: Bi-directional scanning  
Scan rate: 100 scans/sec  
Read. Pitch A.: -35 to 0°, 0 to +35°  
Read. Skew A.: -50 to -8°, +8 to +50°  
Read. Tilt A.: -20 to 0°, 0 to 20°  
Curvature: R>15 mm (EAN8), R>20 mm (EAN13)  
Min. Resolution: 0.9: 0.127 mm / 5 mil  
Min. PCS value: 0.45  
Depth of field: at PCS 0.9, Code 39  
40 - 500 mm / 1.57 - 19.69 in (res. 1.0 mm / 39 mil),  
20 - 350 mm / 0.79 - 13.78 in (res. 0.5 mm / 20 mil),  
20 - 200 mm / 0.79 - 7.87 in (res. 0.25 mm / 10 mil),  
20 - 100 mm / 0.79 - 3.94 in (res. 0.15 mm / 6 mil),  
30 - 70 mm / 1.18 - 2.76 in (res. 0.127 mm / 5 mil)

#### Communication specifications

Interface: RS232C, Keyboard Wedge, USB(HID/VCP)

#### Identification

Supported barcode symbologies (1D): JAN/UPC/EAN (WPC) incl. add on, Chinese Post, Codabar/NW-7, Code 11, Code 39, Code 93, Code 128, IATA, Industrial 2of5, Interleaved 2of5, ISBN-ISMN-ISSN, Korean Postal Authority code, Matrix 2of5, MSI/Plessey-UK/Plessey, RSS, S-Code, Telepen, Tri-Optic, Composite codes  
Supported 2D code symbologies: MicroPDF417, PDF417

#### Environmental specifications

Temp. operation: -5 to 50 °C / 23 to 122 °F  
Temp. storage: -20 to 60 °C / -4 to 140 °F  
Humid. operation: 5 - 95 % (non-condensing)  
Humid. storage: 5 - 95 % (non-condensing)  
Amb. fluorescent: 3,000 lx max.  
Amb. white light: 3,000 lx max.  
Amb. direct sun: 50,000 lx max.  
Drop: 1.5 m / 5 ft drop onto concrete surface  
Vibration: 10 - 100 Hz with 2 G for 1 hour  
ProtectDustWater: IP 42

#### Physical specifications

Dimensions: 56 x 109 x 149 mm / 2.20 x 4.29 x 5.87 in  
Weight Body: Ca. 80 g / 2.8 oz (excl. cable)  
Available colors: Black/ White  
Connector Keyboard Wedge: MiniDIN6  
Connector RS232: DB9 F  
Connector USB: USB-A

#### Stand

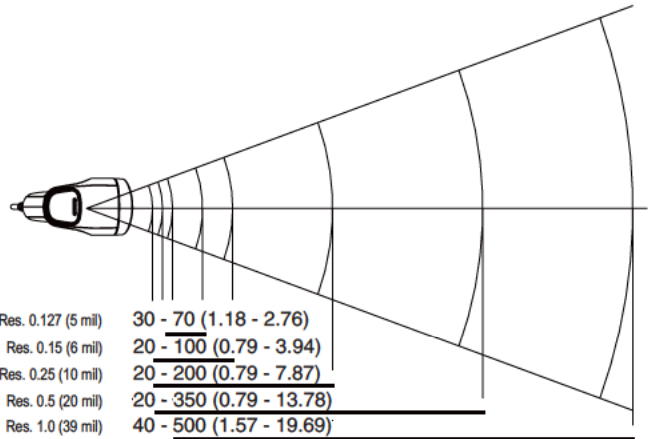
Dimensions: ST-3201 (w x d): 146 x 106 mm / 5.75 x 4.17 in,  
(h): 295 mm / 11.61 in (excl. scanner)  
Purpose: Auto-trigger stand  
Available colors: Black/ White

#### Regulatory

Laser Safety: JIS-C-6802 Class 2, IEC 60825-1 Class 2, FDA CDRH Class II  
Product compliance: CE, FCC, VCCI, RoHS

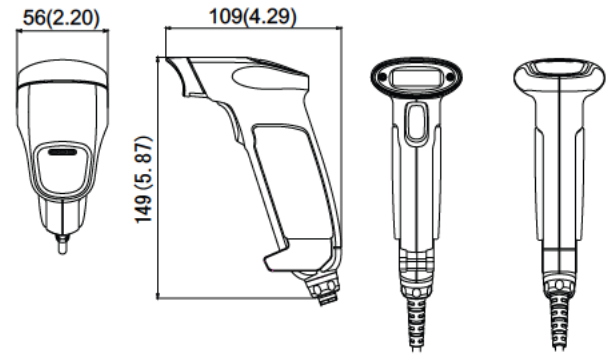
#### Depth of field

Unit: mm (in)



#### Dimension

unit: mm (in)



#### Enclosed items

AC Adapter for RS232C

#### Conditions

To be determined: Ordering quantity,  
Ordering of scanner with or without dedicated stand STD 3201