

Mini and Compact Magnetic Stripe Card Reader

TMSR Series (9.65 cm length)



TYSSO®

Insist on the Best



**Program the Reader by software utility,
Easy to use.**

FEATURES

The **TMSR** Series are compact decoded magnetic stripe card readers with 9.65 cm length and 3.22 cm height. These are almost the smallest decoded reader in the industry.

Designed with low power Mask IC and single-chip microprocessor technology. The TMSR readers not only provide superior reading performance, but also guarantee more than 300,000 passes. (1,000,000 passes version can be requested)

The readers can be equipped with keyboard wedge, RS-232 serial, or USB interface. Software settings are selectable for carriage return, sending start/stop byte, language/intercharacter delay for keyboard wedge (& USB interface) and RS-232 communication parameters for serial interface.

TMSR Series

◆ SPECIFICATIONS

Electronics

Power supply : +5VDC±10%
 Current consumption : <100mA
 Interface : Keyboard Wedge, RS-232,
 or USB

Swipe Function

Swipe Method : F2F (two-frequency
 coherent phase) complied
 with ISO and JIS standard
 Swipe Speed : 5 to 60 inch/sec.
 Card Standard : Track 1, IATA Standard
 Track 2, ABA Standard
 Track 3, THRIFT Standard
 JIS-II, JIS x 6301 Standard
 Card Density : Track 1.....79 characters
 (7 bit code)
 Track 2.....40 characters
 (5 bit code)
 Track 3.....107 characters
 (5 bit code)
 JIS-II.....79 characters
 (7 bit code)

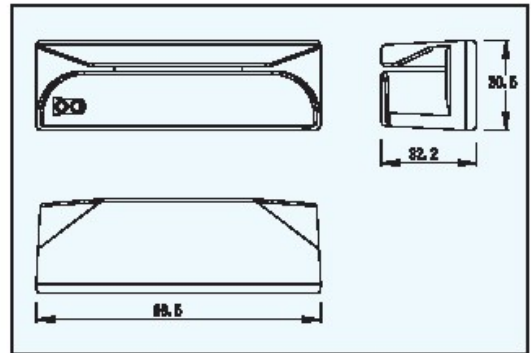
Physics

Size : 96.5mm (L) x 30.5mm (W) x
 32.2mm (H)
 Weight : 57g
 Cable length : 1.5M
 Head life : 300,000 pass minimum

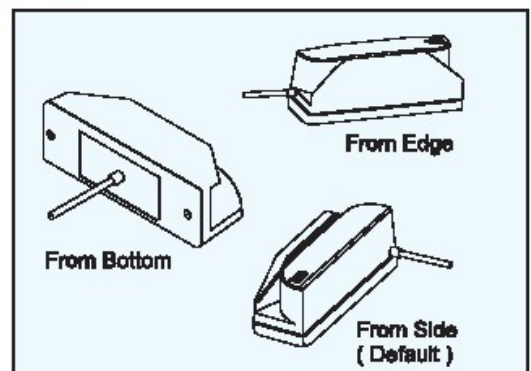
Others

Storage temperature : -20°C to +60°C
 Operating temperature : 0°C to +50°C
 Operating humidity : 20% to 90%

DIMENSIONS



CABLE OUTLET OPTIONS



◆ MODELS INFORMATION

